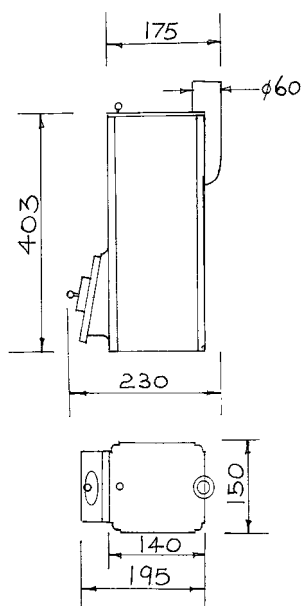




Solid Fuel Stoves

Hot Pot Stove

A slimline solid fuel cabin heater designed for boats up to around 30 feet (10 metres) in length and solidly manufactured from cast iron. Taking up very little space, this stove puts out a tremendous amount of heat for its size particularly when burning small smokeless fuels such as 'Coalite'. Each stove is supplied complete with two internal grids and an ash pan. Optional extras include a sandblasted gunmetal water well deck flange and a 'rain hat' for the flue.



Key Features

- Cast iron construction for good heat radiation.
- Infinite air intake adjustment to control heat output.
- Flue positioned partway down the main body to improve draw and to allow gravity feed of fuel.
- Positive locking closure on front door for security.
- Flexible and inexpensive installation using standard 2½" (64mm) gas pipe and fittings.
- Will burn most solid fuels, although we recommend small smokeless coal for best performance.
- Top loading.

Also available in Red, Blue or Green vitreous enamel with chrome fitments.

Part No. 3126/BL Black with brass fitments

Part No. 3126/VE Vitreous Enamel. State colour required - Red, Blue or Green



Water Well Deck Flange

Cast in bronze with sandblast finish and polished detail. To suit 2½" pipe for HOT POT

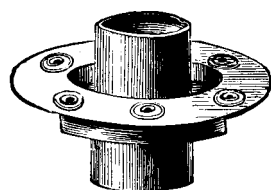
Part No. 3128/GM



Flue Cap

Brass construction with polished finish. The fitted legs suit 2½" pipe.

Part No. 3129/BR



Water Well Deck Flanges

For other makes of stoves we also manufacture this water well flange in galvanised iron to take flue pipes 4" in diameter.

Part No. 2461/GA/100



Cast Iron Cooking Stoves

These cast iron stoves make heating and cooking in boats with solid fuel both a possibility and a pleasure. With their origins dating back to 1891, the Sardine and Little Cod have both been specifically designed to fit into the confined spaces on board and are still carefully manufactured to give superb performance over many years. Suitable for burning wood or lumpwood charcoal, these stoves radiate a solid, dry heat, ideal for cabin warmth and cooking. Controlled by vents on the stoves and damper in the flue pipe they have a right hand door for loading (left hand optional). Available in black stove polish as standard or porcelain enamel in blue, green or red to special order.



Sardine

Incorporating a fire box with small hearth, one hotplate and a stainless steel fiddle rail, this compact stove will suit even the smallest yacht. Fitted with a wheel vent in the door and utilising 4" (100mm) flue pipe, it is supplied black stove polished as standard. Coloured enamel also available.

Part Number	Width	Depth	Height	Weight	Heat Output
3115/BK	12" 300mm	12" 300mm	12" 300mm	16kg	2-5kw



Little Cod

50% wider than the Sardine and with two hotplates, the Little Cod is suitable for larger vessels with more crew. Complete with front slide vent and stainless steel fiddle rail this remarkable stove first saw the light of day around 1917 and has been refined over the many intervening years. It utilises 4" (100mm) flue pipe and is supplied black stove polished as standard. Coloured enamel also available.

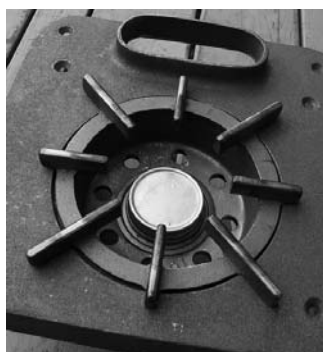
Part Number	Width	Depth	Height	Weight	Heat Output
3116/BK	18" 457mm	13½" 343mm	13" 330mm	23kg	3-8kw



Accessories

The following comprise most of the accessories required for a safe and successful installation. Please note that a flue damper must be fitted to adequately control the burn and heat output.

Part Number	Item	Dimensions
3117/SB	Bronze Deck Flange	OD: 9" (225mm)
3118/SS	SS Smoke Head	OD: 8" (200mm)
3119/SS/600	4" SS Flue Pipe	Length: 24" (600mm)
3119/SS/300	4" SS Flue Pipe	Length: 12" (300mm)
3120/SS	4" SS Adjustable Elbow	0-90 degrees
3121	Flue Damper	Diameter: 4" (100mm)



Drop-in Burner

A very useful accessory, this bronze alcohol burner simply replaces the hotplate in the summer months so that one can cook without a wood fire being lit. Fitted in seconds, this superior wickless burner is able to simmer and will run on the high setting for 20 minutes on one filling, with 8 minutes being taken to boil a litre of water.

Part Number 3122